



BELL 212

Able Aerospace is an industry-leader in maintenance, repair, overhaul, exchange and PMA for rotor wing aircraft around the world. Don't see the repair or overhaul you're looking for? The opportunities are endless with Able – contact our team to learn more.



MAIN ROTOR HUB & MAST

MAIN ROTOR HUB

REPAIRS & OVERHAULS

- 1 Drag Brace Assembly | 204-011-140-XXX
- 2 Blade Bolt | 204-011-151-XXX
- 3 M/R Grip | 204-011-121-XXX
- 4 Outboard Fitting | 204-012-103-XXX
- 5 Bearing | 212-311-007-XXX
- 6 Plate Assembly | 204-011-125-XXX
- 7 Inboard Strap Fitting | 212-010-103-XXX
- 8 M/R Yoke Assembly | 204-011-102-XXX
212-011-102-XXX
- 9 Trunnion | 204-011-105-XXX
- 10 Pillow Block | 204-011-108-XXX
- 11 Liner Assembly | 204-011-122-XXX
- 12 Pitch Horn | 204-011-120-XXX

APPROVED REPLACEMENT PARTS

- 1 Seal | 2AA-311-131-107
- 2 Seal | 2AA-011-132-001
- 5 Bearing | 2AA-311-007-101

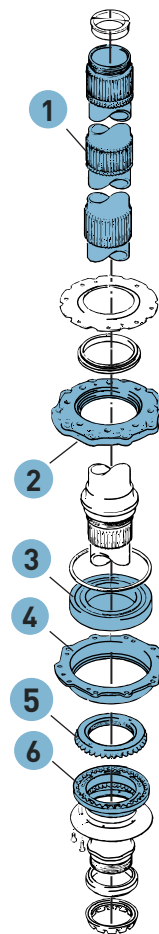
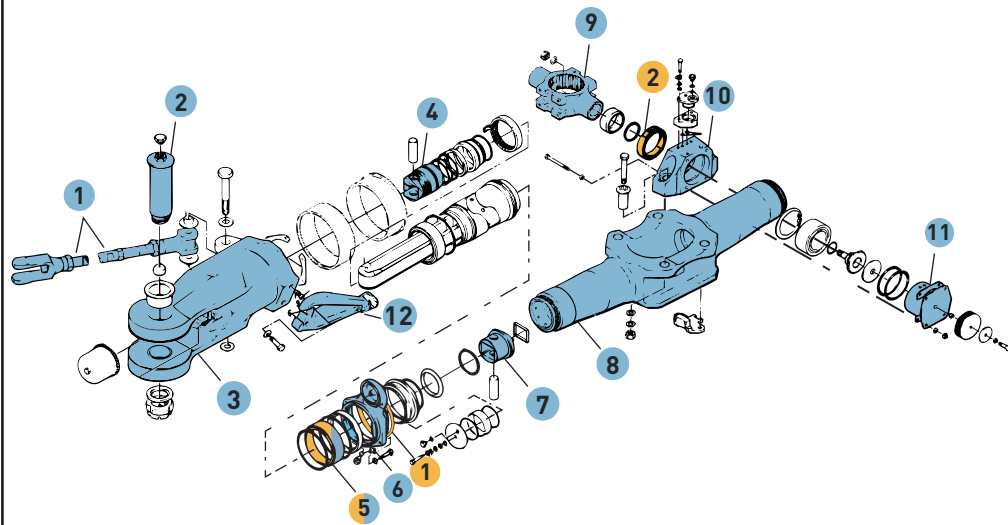
MAST

REPAIRS & OVERHAULS

- 1 M/R Mast | 204-011-450-XXX
- 2 Retainer Plate Assembly | 204-040-349-XXX
- 3 Bearing | 212-040-136-XXX
- 4 Bearing Liner | 204-040-307-XXX
- 5 Nut | 204-040-115-XXX
- 6 Washer | 205-040-236-XXX

APPROVED REPLACEMENT PARTS

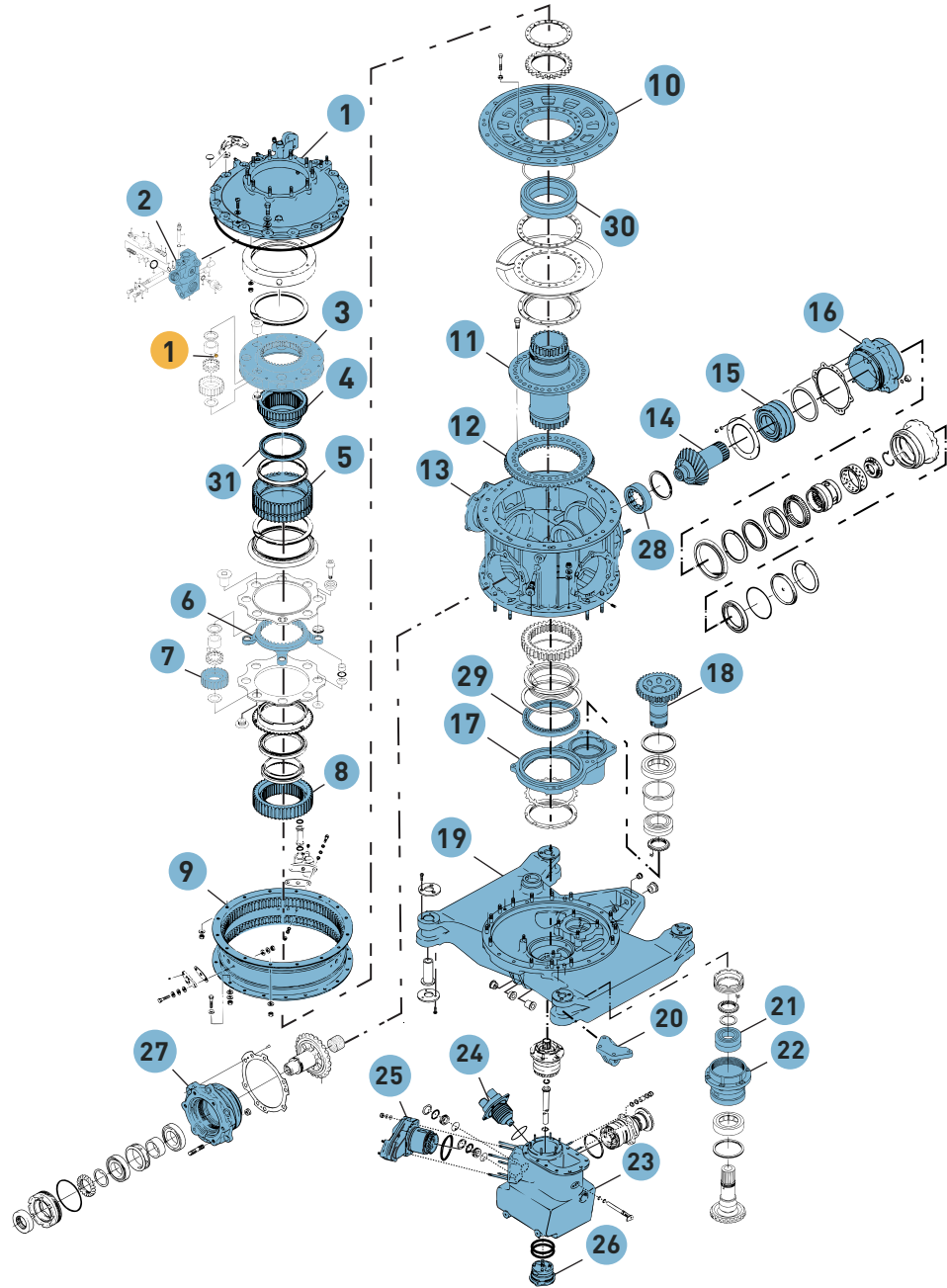
- 1 Seal | 2AA-010-441-003



TRANSMISSION

REPAIRS & OVERHAULS

- 1 Transmission Top Case | 212-040-059-XXX
- 2 Oil Manifold | 204-040-387-XXX
- 3 Spider Assembly | 204-040-397-XXX
- 4 Adapter | 204-040-117-XXX
- 5 Upper Sun Gear | 205-040-230-XXX
- 6 Lower Planetary Spider | 204-040-785-XXX
412-040-785-XXX
- 7 Gear | 205-040-233-XXX
- 8 Lower Sun Gear | 205-040-229-XXX
- 9 Ring Gear | 205-040-231-XXX
- 10 Gearshaft Support Case | 412-040-385-XXX
204-040-386-XXX
- 11 Input Gearshaft | 204-040-324-XXX
- 12 Bevel Gear | 204-040-701-XXX
- 13 Main Transmission Case | 212-040-053-XXX
- 14 Input Pinion Gear | 204-040-700-XXX
- 15 Triplex Bearing | 205-040-246-003-XXX
- 16 Input Pinion Sleeve | 205-040-256-XXX
- 17 Offset Drive Sleeve | 212-040-203-XXX
- 18 Pinion | 212-040-202-XXX
- 19 Main Support Case | 212-040-054-XXX*
- 20 Fitting | 212-040-106-XXX
- 21 Duplex Bearing | 212-040-144-XXX
- 22 Sleeve Assembly | 212-040-154-XXX
- 23 Transmission Sump Case | 204-040-355-XXX
- 24 Chip Detector | 212-040-122-XXX
- 25 Hydraulic Quill Sleeve | 204-040-306-XXX
- 26 Oil Pump | 212-040-184-XXX
- 27 Sleeve Assembly | 204-040-399-XXX
- 28 Bearing | 205-040-249-XXX
- 29 Bearing | 204-040-271-XXX
- 30 Bearing | 205-040-245-XXX
- 31 Bearing | 204-040-135-XXX



APPROVED REPLACEMENT PARTS

- 1 Roller Set | 204-725-003

*FAA approved AMOC for AD 2022-20-14

SWASHPLATE & ACCESSORIES

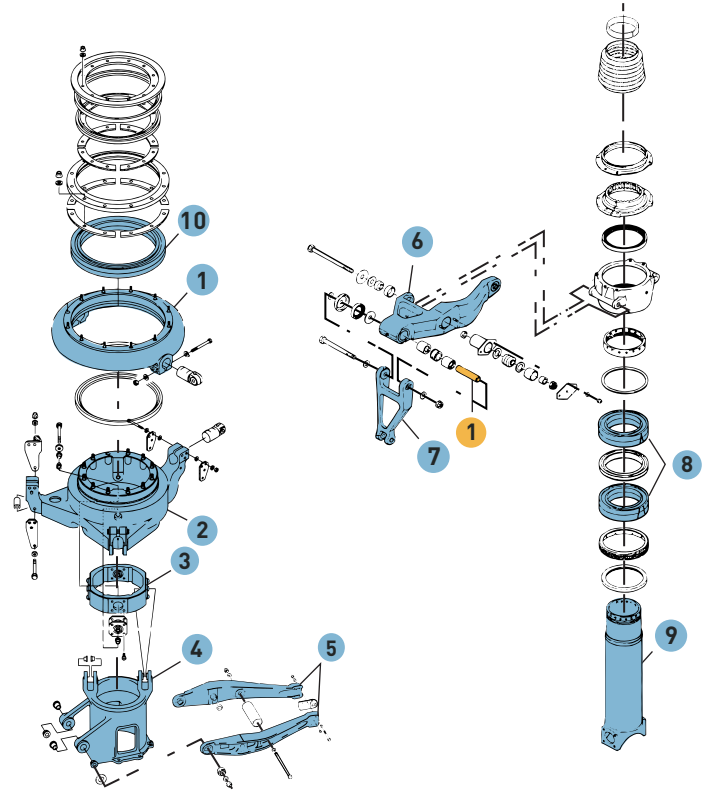
SWASHPLATE ASSEMBLY

REPAIRS & OVERHAULS

- 1 Swashplate Ring Assembly | 204-011-403-XXX
- 2 Swashplate Inner Ring | 204-011-402-XXX
- 3 Gimbal Ring Assembly | 204-010-404-XXX
- 4 Support Assembly | 204-011-404-XXX
- 5 Collective Lever Assembly | 212-010-403-XXX
- 6 Drive Link Scissors | 204-011-406-XXX
212-010-407-XXX
- 7 Drive Link Assembly | 204-011-407-XXX
- 8 Quadplex Mast Bearing | 540-011-449-XXX
- 9 Collective Sleeve | 204-011-408-XXX
212-011-412-XXX
- 10 Swashplate Thrust Bearing | 204-011-430-001

APPROVED REPLACEMENT PARTS

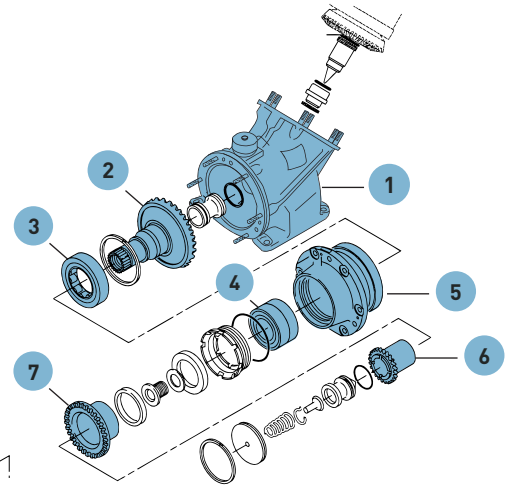
- 1 Seal | 2AA-010-441-003



42° GEARBOX

REPAIRS & OVERHAULS

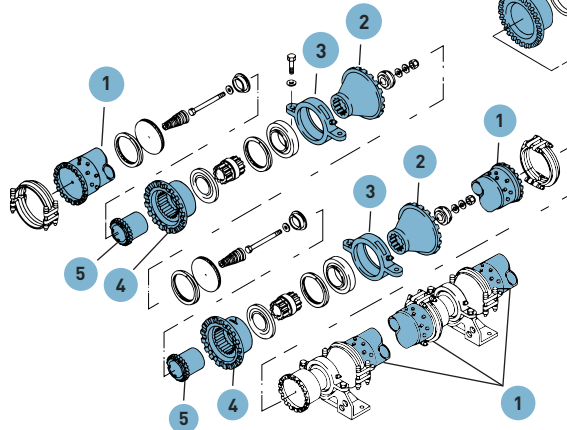
- 1 42° Gearbox Case | 212-040-506-XXX
- 2 Input Pinion | 212-040-500-XXX
- 3 Roller Bearing | 212-040-210-XXX
- 4 Duplex Bearing | 212-040-143-XXX
- 5 42° Gearbox Input Sleeve | 212-040-502-XXX
- 6 Coupling | 204-040-603-XXX
- 7 Coupling | 204-040-604-XXX



TAIL ROTOR DRIVE SHAFT

REPAIRS & OVERHAULS

- 1 T/R Shaft Assembly | 204-040-620-XXX
- 2 Hanger Coupling | 212-040-614-XXX
- 3 Driveshaft Hanger | 204-040-617-XXX
212-040-600-XXX
- 4 Coupling | 204-040-604-XXX
- 5 Coupling | 204-040-603-XXX

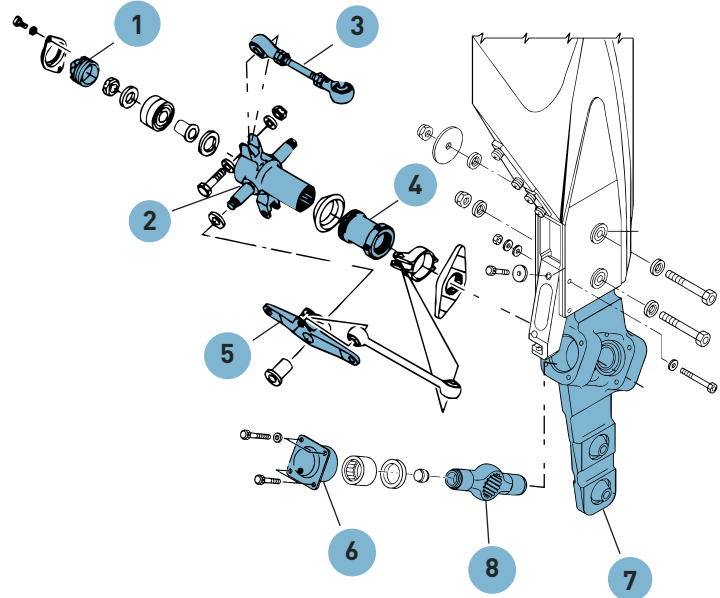


TRGB, HUB & BLADE

TAIL ROTOR HUB & BLADE

REPAIRS & OVERHAULS

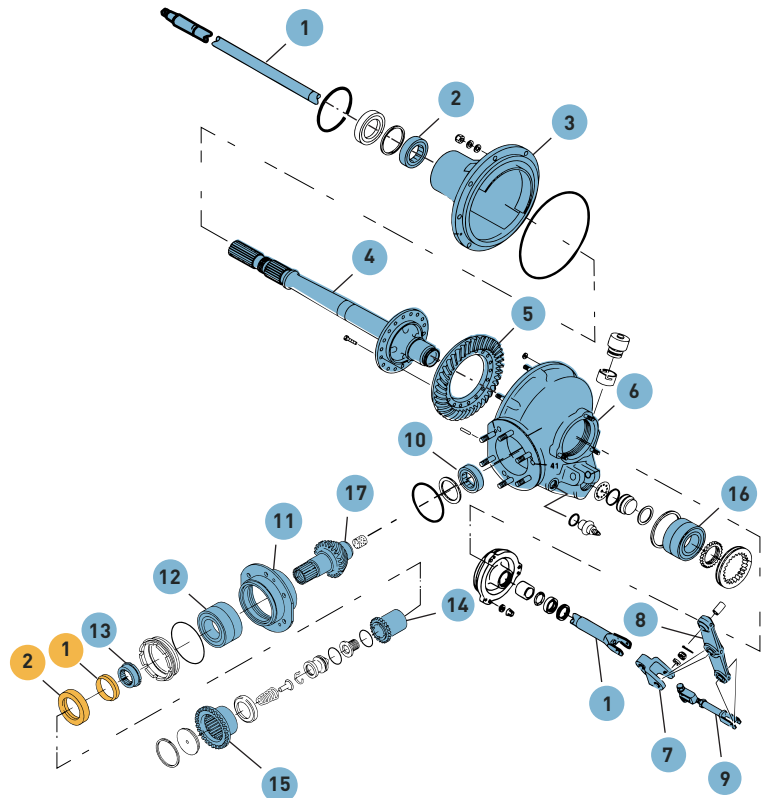
- 1 Retainer Assembly | 212-010-773-XXX
- 2 T/R Crosshead | 212-010-775-XXX
212-010-707-XXX
- 3 Pitch Link | 212-011-710-XXX
- 4 T/R Retention Nut | 212-010-706-XXX
- 5 Bellcrank Assembly | 212-010-709-XXX
212-011-705-XXX
- 6 T/R Bearing Housing | 212-011-716-XXX
212-011-729-XXX
- 7 T/R Yoke | 212-011-702-XXX
212-010-704-XXX
212-010-744-XXX
- 8 Trunnion | 212-011-704-XXX



TAIL ROTOR GEARBOX

REPAIRS & OVERHAULS

- 1 Pitch Change Tube | 209-011-710-XXX
- 2 Bearing | 212-040-466-XXX
- 3 T/R Output Sleeve | 212-040-452-XXX
- 4 T/R Output Shaft | 212-040-462-XXX
- 5 Gear | 212-040-451-XXX
- 6 T/R Gearbox Case | 212-040-468-XXX
- 7 Idler Assembly | 209-011-711-XXX
- 8 Lever Assembly | 209-011-712-XXX
- 9 T/R Link Assembly | 209-011-713-XXX
- 10 Bearing | 212-040-455-XXX
- 11 42° Gearbox Input Sleeve | 212-040-502-XXX
- 12 Duplex Bearing | 212-040-456-XXX
- 13 Spacer | 212-040-457-XXX
- 14 Int. Gearbox Coupling | 204-040-603-XXX
- 15 Coupling | 204-040-604-XXX
- 16 Bearing | 212-040-456-XXX
- 17 Pinion | 212-040-450-XXX



APPROVED REPLACEMENT PARTS

- 1 Sleeve | 2AA-340-401-101
- 2 Seal | 4AA-340-105-103

HYDRAULICS

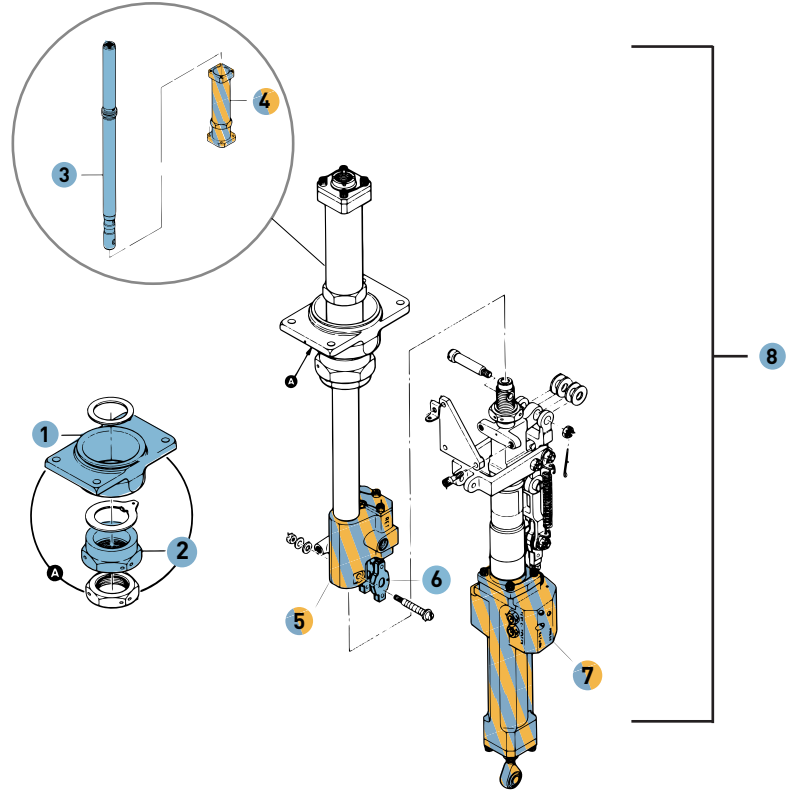
MAIN ROTOR SERVO ACTUATOR

REPAIRS & OVERHAULS

- 1 Mounting Bracket | 212-076-116-XXX
- 2 Bearing Nut | 212-076-118-XXX
- 3 Upper Piston Assembly | 41000643
- 4 Cylinder | 41004687
- 5 Upper Housing Assembly | 41003203
- 6 Link Assembly | 41005471-101
- 7 Lower Cylinder Assembly | 41004683
- 8 M/R Servo Actuator Assembly | 212-076-005-XXX

APPROVED REPLACEMENT PARTS

- 4 Cylinder | 41004687AA
- 5 Upper Housing Assembly | 41003203AA
- 7 Lower Cylinder Assembly | 41004683AA



TAIL ROTOR SERVO ACTUATOR

REPAIRS & OVERHAULS

- 1 Cylinder Housing Assembly | 41000875
- 2 Piston Rod Assembly | 41000589
- 3 Housing Assembly | 41000564
- 4 Link Assembly | 41005471-101
- 5 Lever Assembly | 41000569
41001687
- 6 Yoke Assembly | 41000577
- 7 Cylinder Cap | 41000877
- 8 T/R Servo Actuator Assembly | 212-076-004-XXX

APPROVED REPLACEMENT PARTS

- 1 Bushing | 41000614AA-001
- 2 Cylinder Housing Assembly | 41004577AA
- 3 Housing Assembly | 41000564AA

