



The appearance of U.S. Department of Defense (DoD) visual information does not imply or constitute endorsement.

BOEING CH-47 CHINOOK

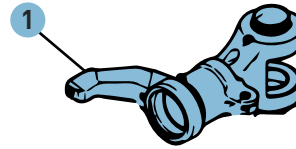
Able Aerospace is an industry-leader in maintenance, repair, overhaul and exchange for rotor wing aircraft around the world. Don't see the repair or overhaul you're looking for? The opportunities are endless with Able – contact our team to learn more.



MAIN ROTOR HUB & SWASHPLATE

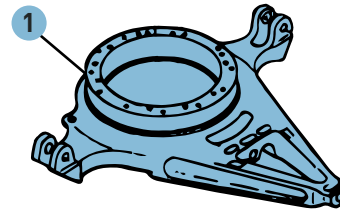
MAIN ROTOR HUB

- 1 Pitch Housing | 145R2075-XX



SWASHPLATE

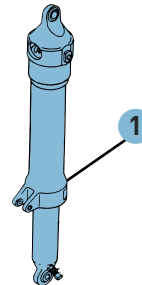
- 1 AFT Stationary Ring Assembly | 414R3352-X



LANDING GEAR

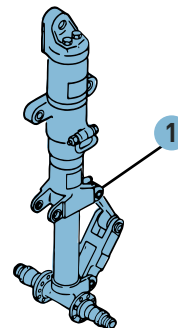
AFT LANDING GEAR

- 1 AFT Landing Gear Shock Strut | 114L2331-X



FWD LANDING GEAR

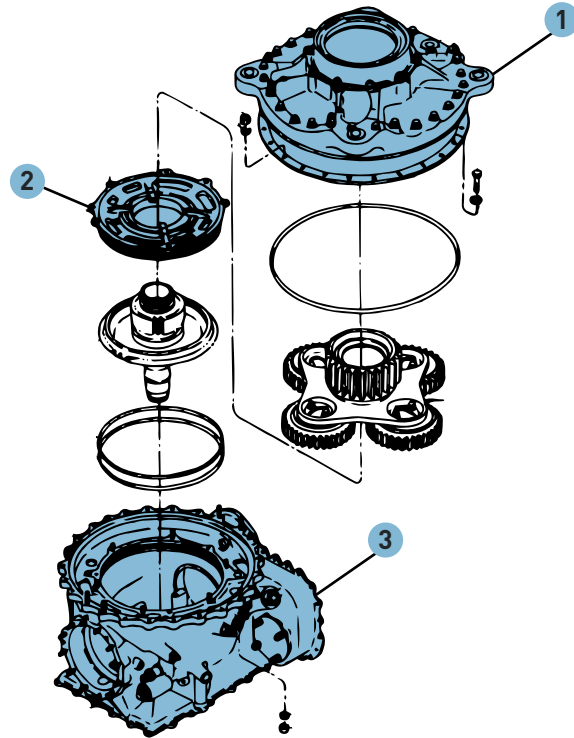
- 1 FWD Landing Gear Shock Strut | 114L1010-X



TRANSMISSION

AFT TRANSMISSION

- 1 Cover Assembly | 145D2301-X
- 2 Bearing Support Assembly | 145D0107-X
- 3 AFT Main Housing Assembly | 145D2307-X



FWD TRANSMISSION

- 1 Adapter | 114D3049-X
- 2 Drive Shaft Assembly | 145D3400-XX
- 3 Rotor Shaft | 145D1301-X
- 4 FWD Main Transmission Housing | 145D1307-X

